

WINCORE™

WINDOWS & DOORS

250 Staunton Turnpike, Parkersburg, WV 26104

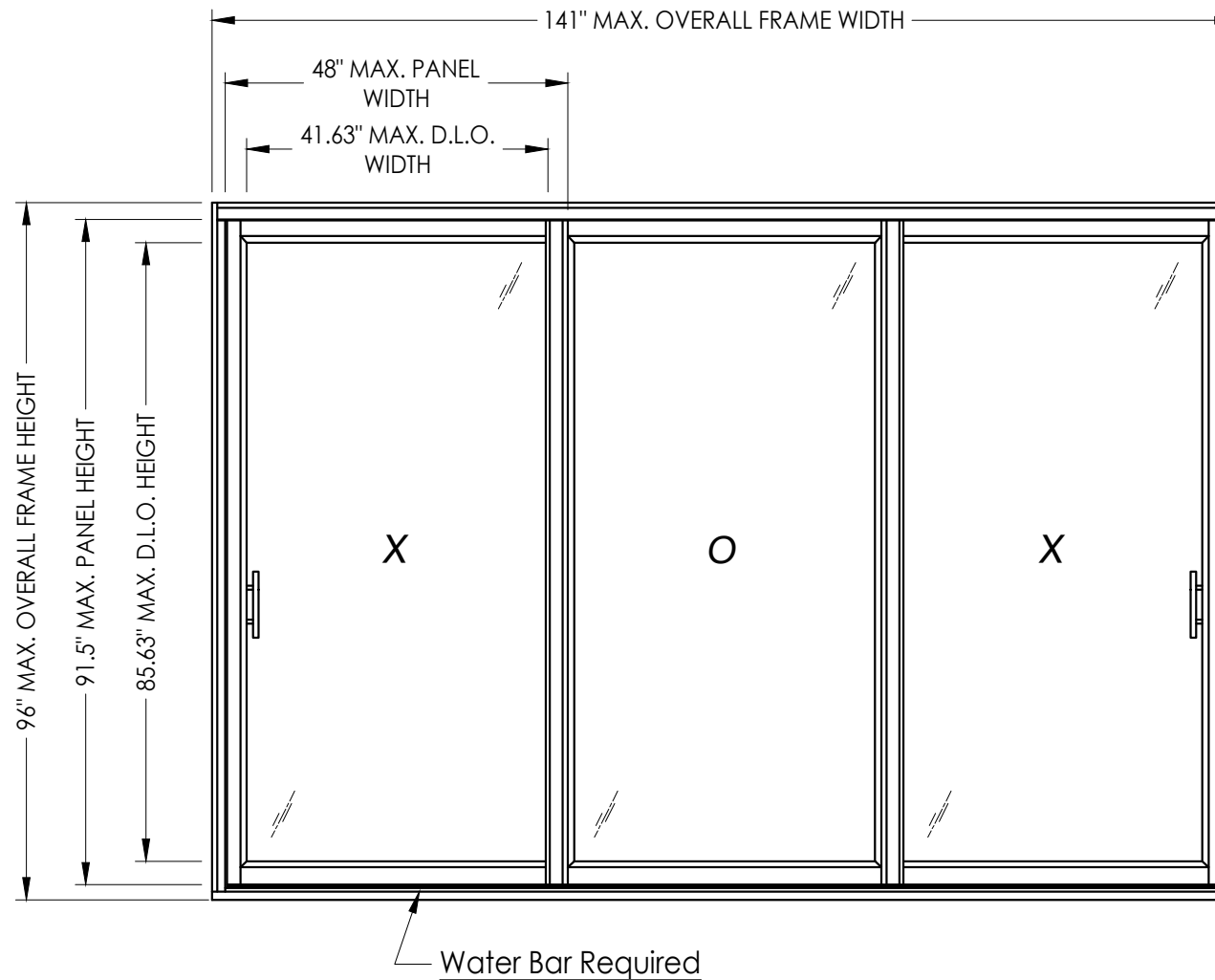
8800 Series Vinyl Sliding Patio Door "IMPACT"

GENERAL NOTES

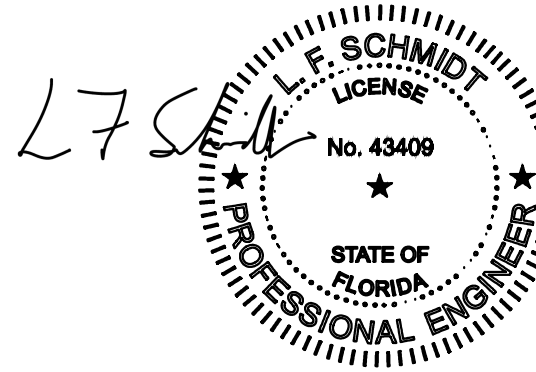
- This product has been evaluated and is in compliance with the 8th Edition (2023) Florida Building Code (FBC) structural requirements excluding the "High Velocity Hurricane Zone" (HVHZ).
- Product anchors shall be as listed and spaced as shown on details. Anchor embedment to base material shall be beyond wall dressing or stucco.
- When used in areas requiring wind borne debris protection this product complies with FBC Sections 1609.1.2 & R301.2.1.2 and does not require an impact resistant covering. This product meets missile level "D" and includes Wind Zone 4 as defined in ASTM E 1996 and FBC Sections 1609.1.2.2 & R301.2.1.2.1.
- For 2x stud framing construction, anchoring of these units shall be the same as that shown for 2x buck masonry construction.
- Site conditions that deviate from the details of this drawing require further engineering analysis by a licensed engineer or registered architect.

TABLE OF CONTENTS

SHEET#	DESCRIPTION
1	Typical elevation, design pressures & general notes
2	Horizontal and vertical cross sections
3	Horizontal and vertical cross sections
4	Buck & frame anchoring
5	Bill of materials, glazing detail & components



OVERALL FRAME DIMENSION	MAX. PANEL DIMENSION	MAX. D.L.O. DIMENSION	GLASS TYPE	DESIGN PRESSURE (PSF)	
				POSITIVE	NEGATIVE
141" x 96"	48" X 91.5"	41.63" X 85.63"	G1	+50.0	-50.0



This item has been digitally signed and sealed by L. F. Schmidt, P.E. on the date adjacent to the seal. Printed copies of this document are not considered signed and sealed and the signature must be verified on any electronic copies.

THIS PRODUCT APPROVAL IS VALID ONLY FOR THE STATE OF FLORIDA

Documents Prepared By:
Lyndon F. Schmidt
P.E. No. 43409

RW BUILDING CONSULTANTS, INC.
P.O. Box 230, Vairico, FL 33595
Phone No.: 813.659.9197
FBPE Registry No. 9813

PRODUCT: 8800 SERIES VINYL SLIDING PATIO DOORS

PART OR ASSEMBLY:
TYPICAL ELEVATION, DESIGN PRESSURES & GENERAL NOTES

NO.	DATE	REVISIONS
5	7/06/23	UPDATE TO 8TH ED. (2023) FBC
4	7/06/20	UPDATE TO 7TH ED. (2020) FBC
3	6/01/17	UPDATE TO 6TH ED. (2017) FBC
2	1/28/15	UPDATE TO 5TH ED. (2014) FBC
1	2/3/14	REVISE DOOR SIZE
		JK
		BY

DATE: 2/21/13

SCALE: N.T.S.

DWG. BY: JK

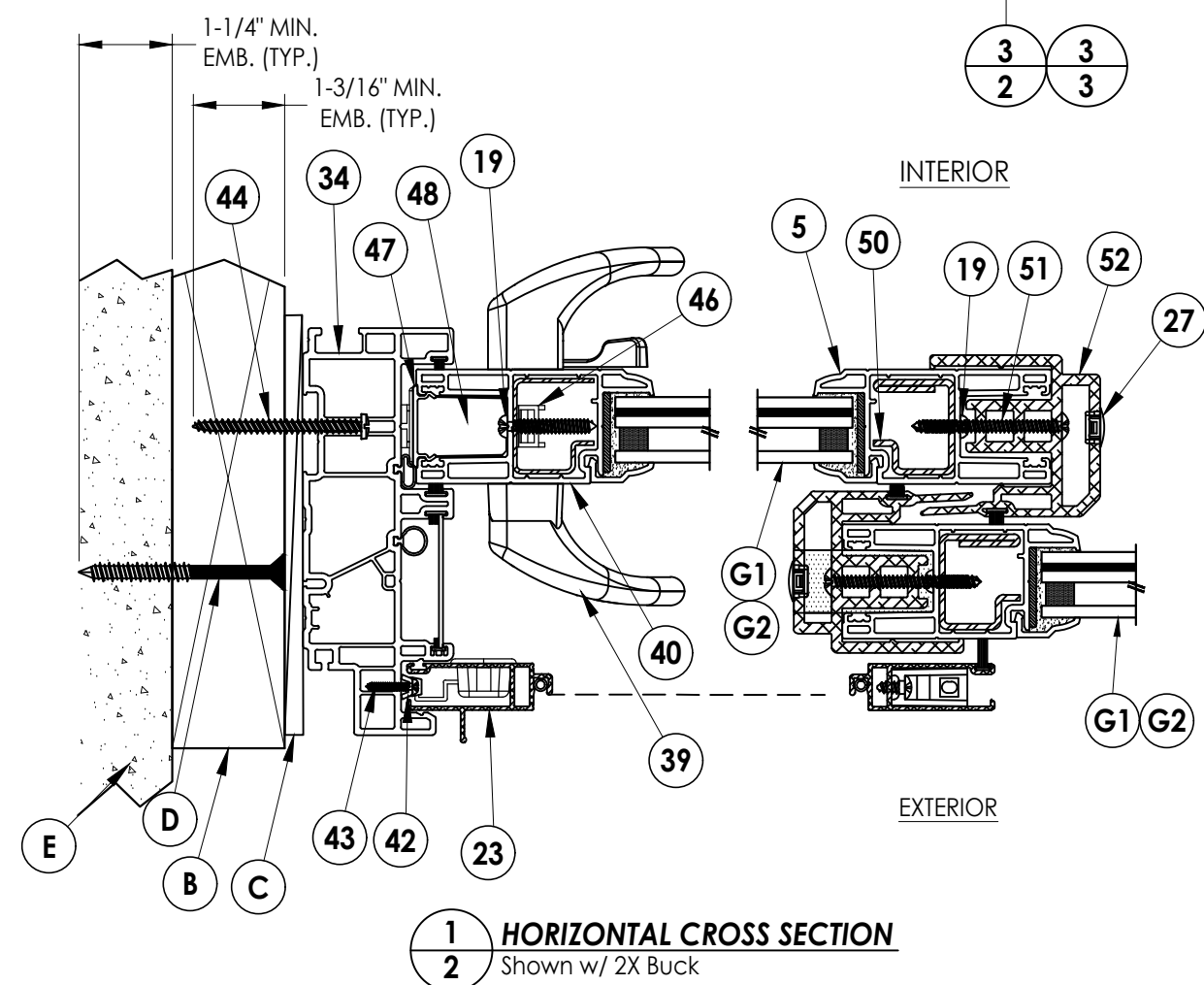
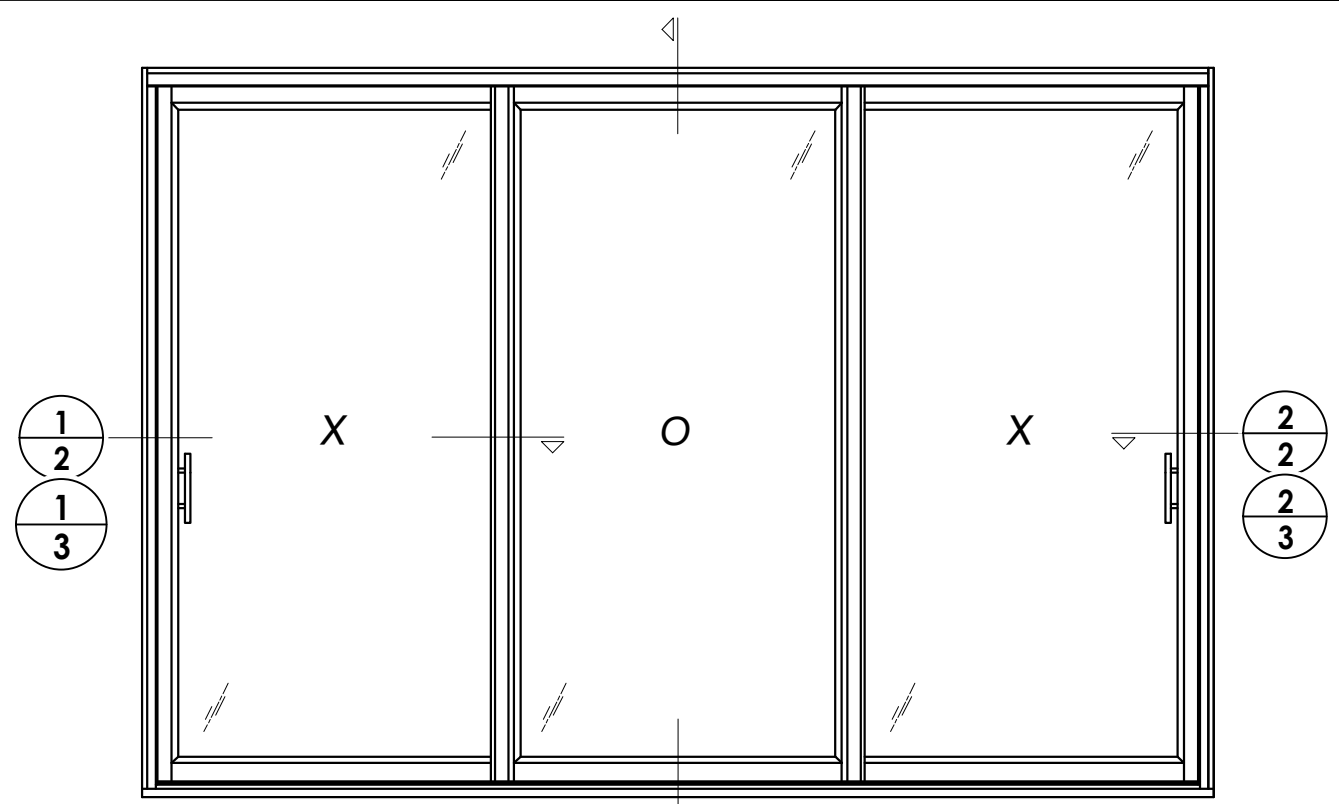
CHK. BY: LFS

DRAWING NO.:

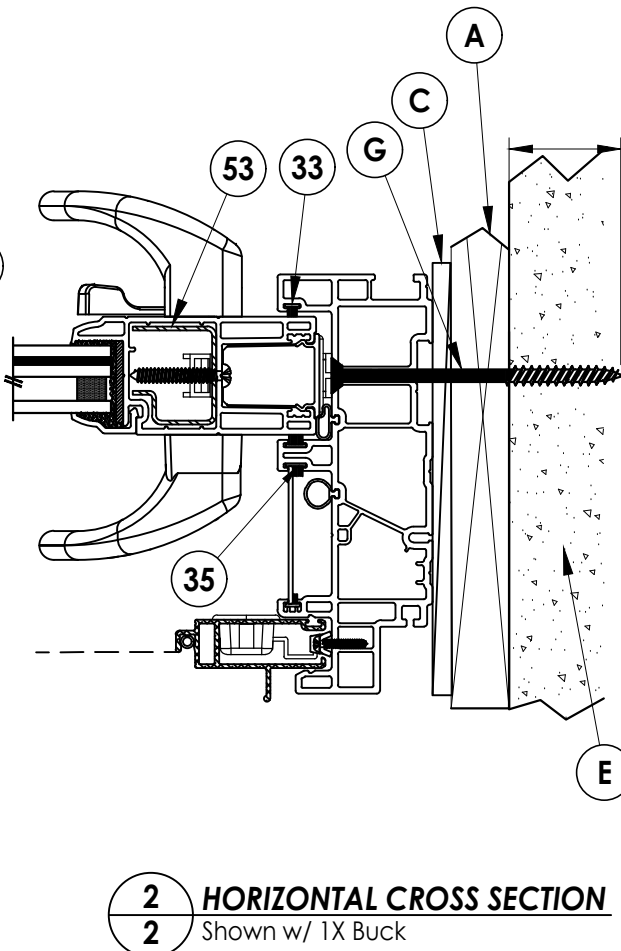
FL-16216.2

SHEET 1 OF 5

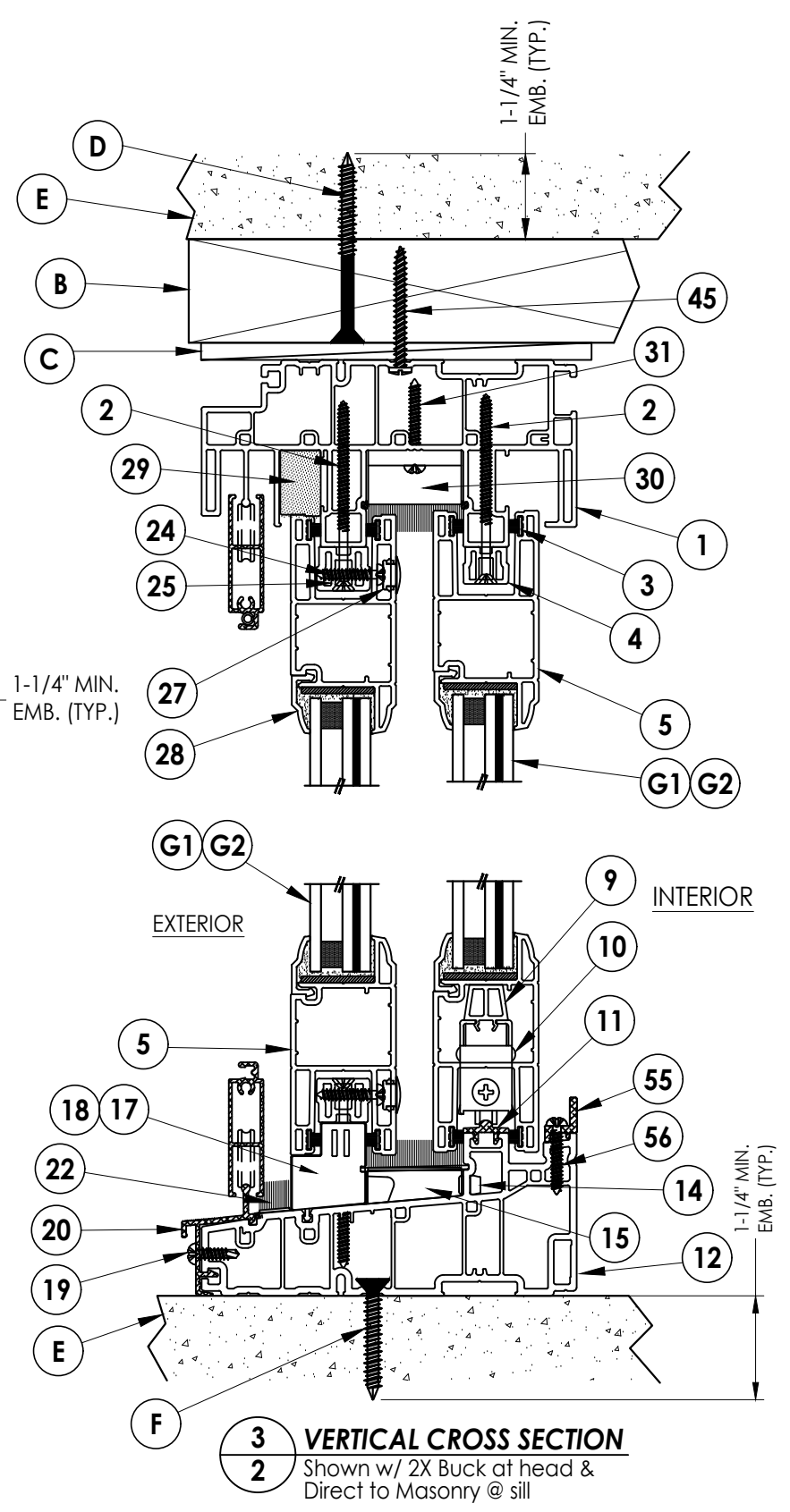
Z:\2023 FBC Drawings\Wincore Window Company\FL-16216 R14\FL-16216.1-2.dwg



1 HORIZONTAL CROSS SECTION
2 Shown w/ 2X Buck



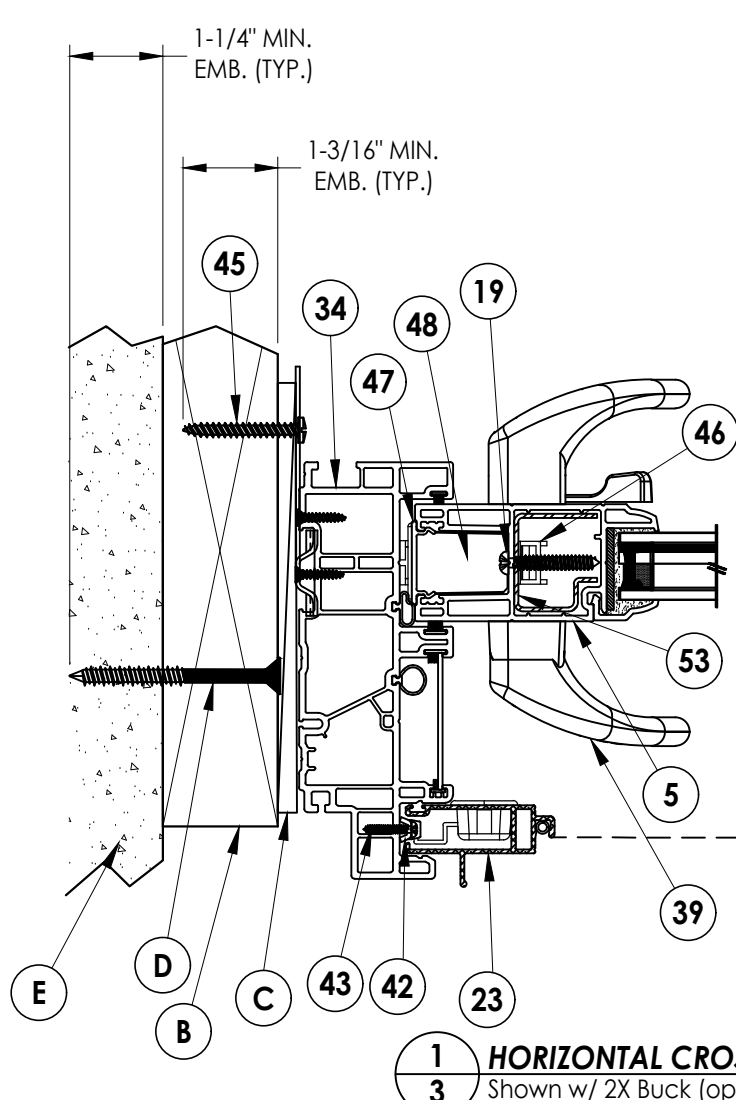
2 HORIZONTAL CROSS SECTION
2 Shown w/ 1X Buck



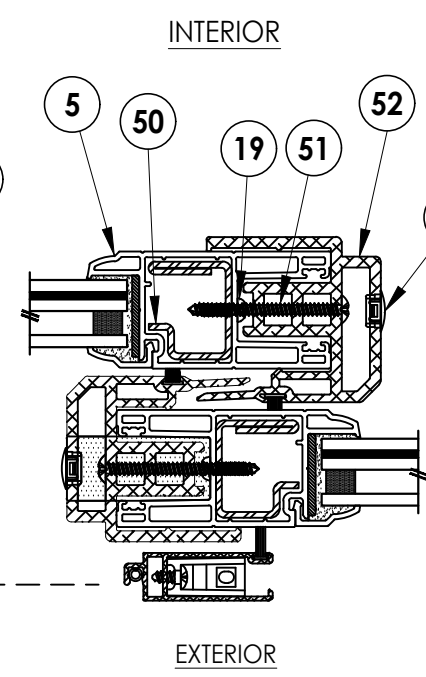
3 VERTICAL CROSS SECTION
2 Shown w/ 2X Buck at head & Direct to Masonry @ sill

Documents Prepared By: Lyndon F. Schmidt P.E. No. 43409		BUILDING CONSULTANTS, INC. P.O. Box 230, Valrico, FL 33595 Phone No.: 813.659.9197 FBPE Registry No. 9813	
PRODUCT: 8800 SERIES VINYL SLIDING PATIO DOORS		PART OR ASSEMBLY: HORIZONTAL & VERTICAL CROSS SECTIONS	
NO.	DATE	REVISIONS	
5	7/06/23	UPDATE TO 8TH ED. (2023)	FBC
4	7/06/20	UPDATE TO 7TH ED. (2020)	FBC
3	6/01/17	UPDATE TO 6TH ED. (2017)	FBC
2	1/28/15	UPDATE TO 5TH ED. (2014)	FBC
1	2/3/14	REVISE DOOR SIZE	JK
			BY
DATE: 2/21/13			
SCALE: N.T.S.			
DWG. BY: JK			
CHK. BY: LFS			
DRAWING NO.: FL-16216.2			
SHEET 2 OF 5			

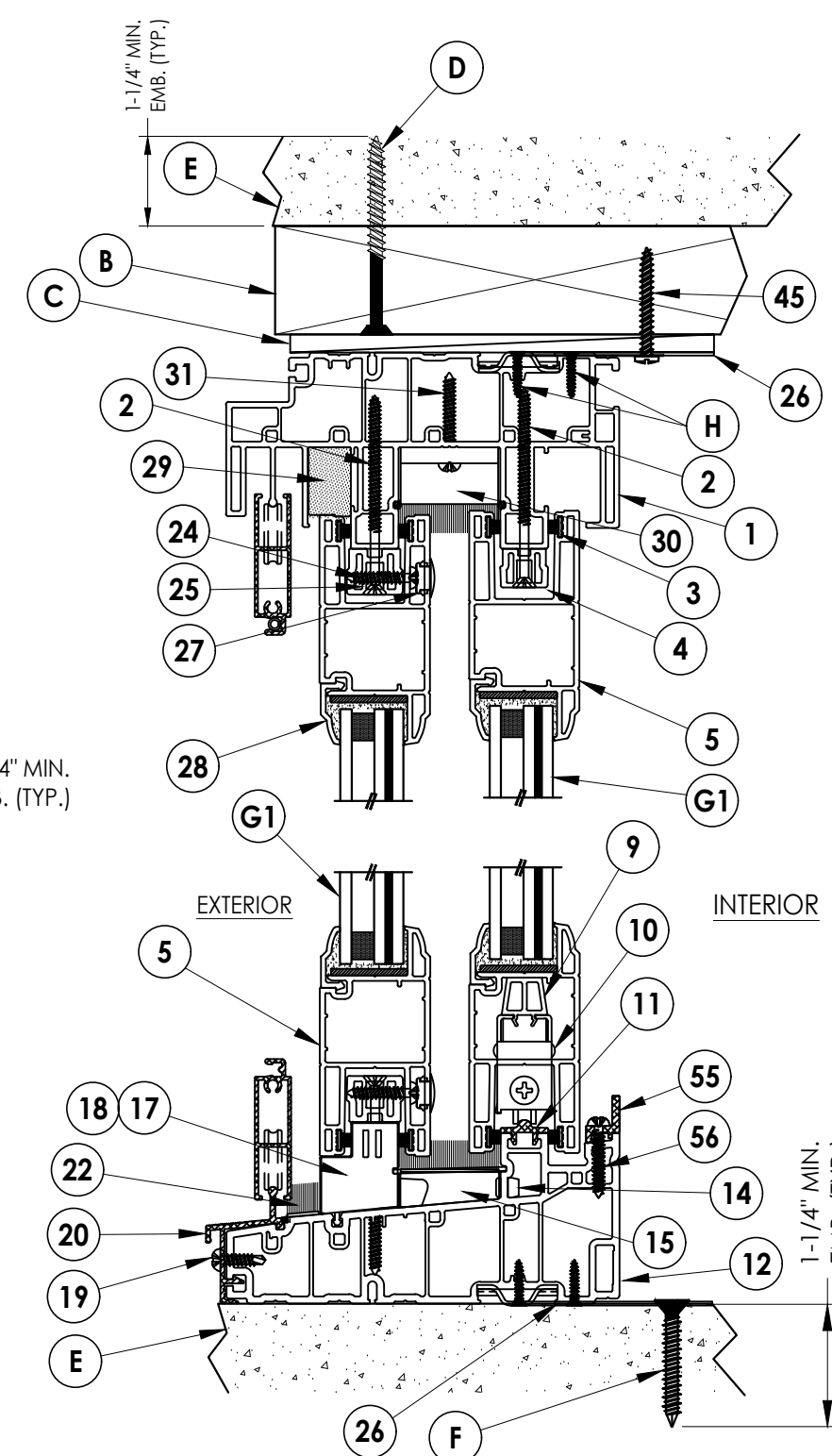
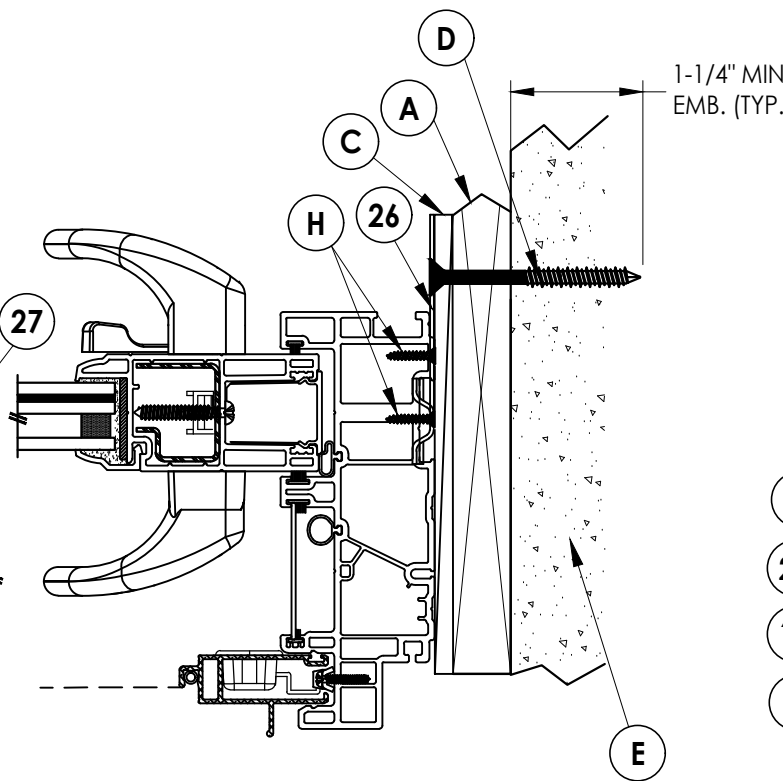
Z:\2023 FBC Drawings\Wincore Window Company\FL-16216 R14\FL-16216.1-2.dwg



1 HORIZONTAL CROSS SECTION
3 Shown w/ 2X Buck (optional strap)



2 HORIZONTAL CROSS SECTION
3 Shown w/ 1X Buck (w/ optional strap)



3 VERTICAL CROSS SECTION
3 Shown w/ 2X Buck at head & Direct to Masonry @ sill (w/ optional strap)

Documents Prepared By:
Lyndon F. Schmidt
P.E. No. 43409

RW BUILDING CONSULTANTS, INC.
P.O. Box 230, Valrico, FL 33595
Phone No.: 813.659.9197
FBPE Registry No. 9813

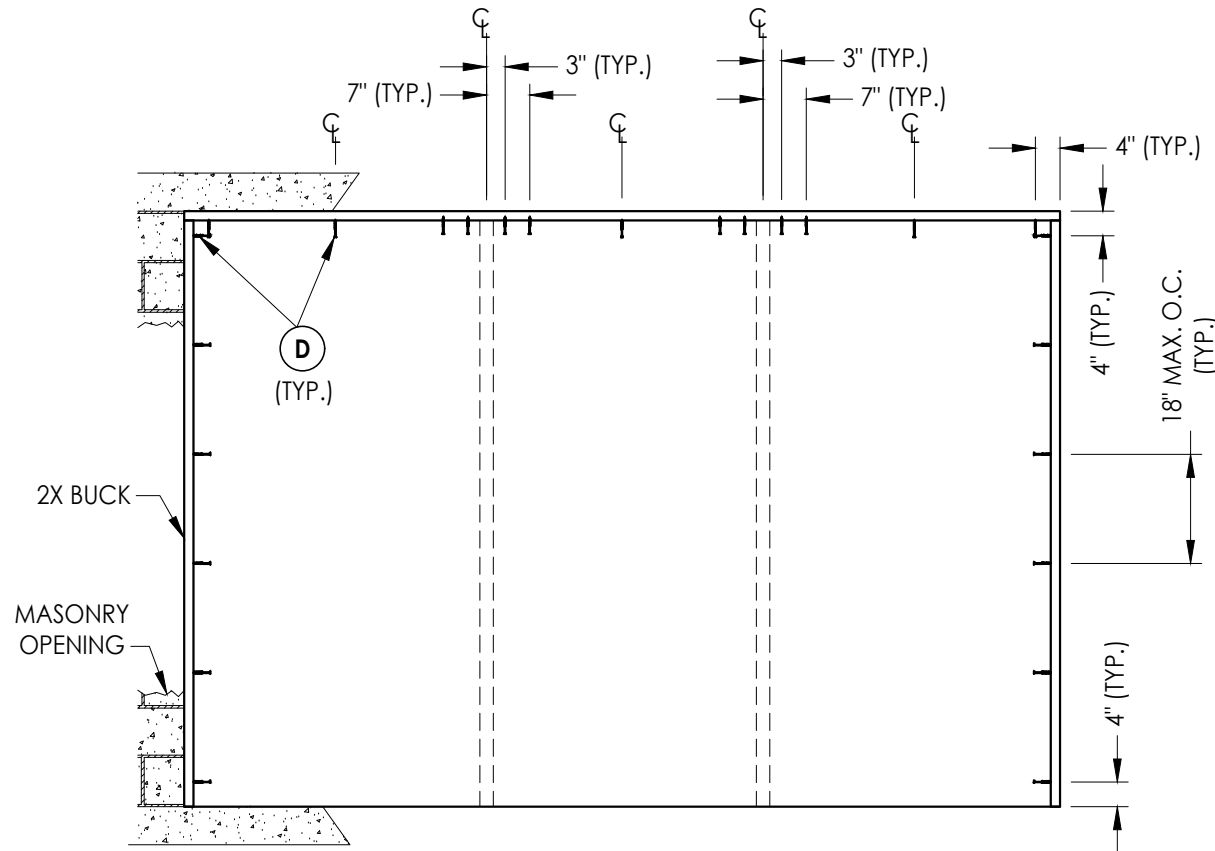
PRODUCT:
8800 SERIES VINYL
SLIDING PATIO DOORS

PART OR ASSEMBLY:
HORIZONTAL & VERTICAL
CROSS SECTIONS

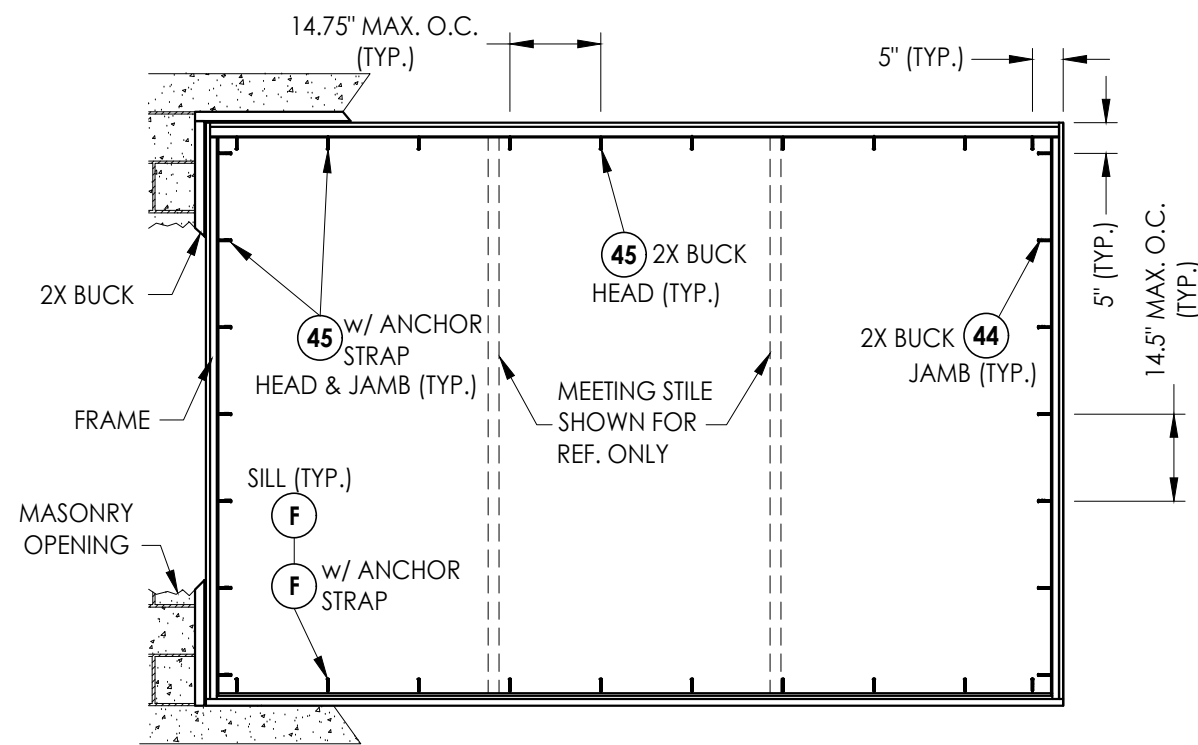
NO.	DATE	REVISIONS	BY
5	7/06/23	UPDATE TO 8TH ED. (2023)	FBC
4	7/06/20	UPDATE TO 7TH ED. (2020)	FBC
3	6/01/17	UPDATE TO 6TH ED. (2017)	FBC
2	1/28/15	UPDATE TO 5TH ED. (2014)	FBC
1	2/3/14	REVISE DOOR SIZE	JK

DATE: 2/21/13
SCALE: N.T.S.
DWG. BY: JK
CHK. BY: LFS
DRAWING NO.: FL-16216.2
SHEET 3 OF 5

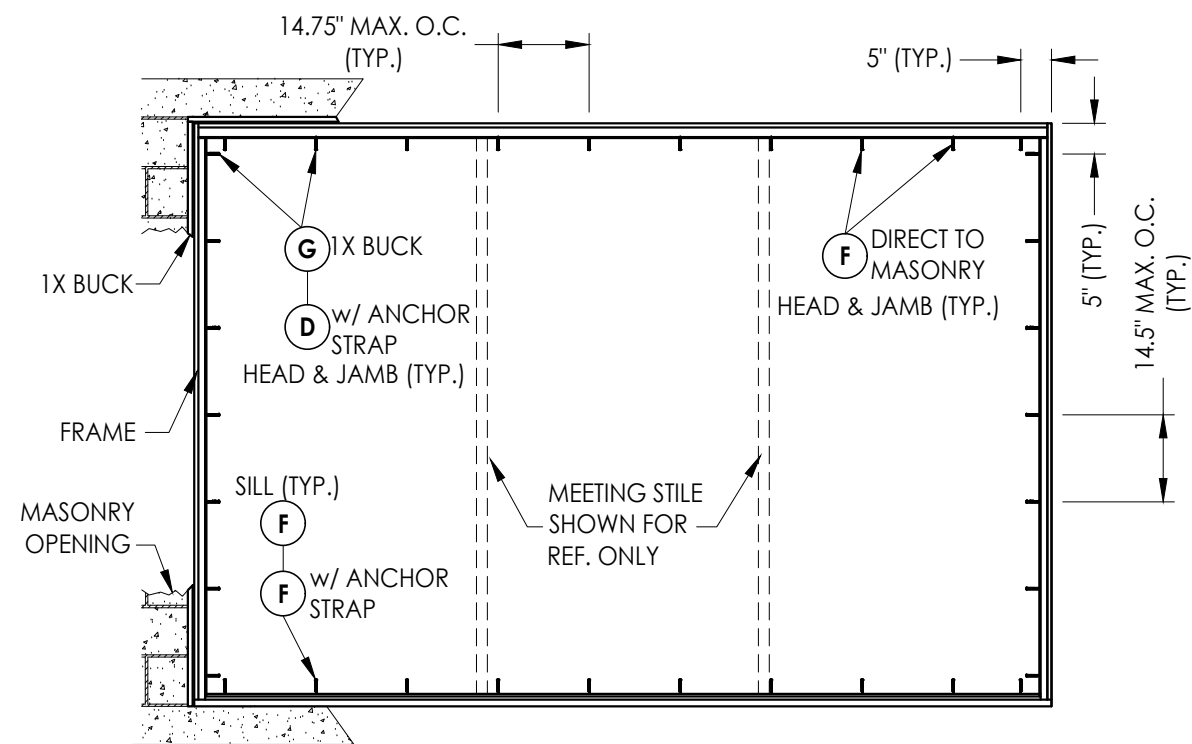
© 2013 R.W. BUILDING CONSULTANTS INC.



**BUCK ANCHORING
MASONRY**



**FRAME ANCHORING
2X Buck**



**FRAME ANCHORING
1X Buck, Direct to Masonry**

CONCRETE ANCHOR NOTES:

- Concrete anchor locations at the corners may be adjusted to maintain the min. edge distance to mortar joints.
- Concrete anchor locations noted as "MAX. ON CENTER" must be adjusted to maintain the min. edge distance to mortar joints, additional concrete anchors may be required to ensure the "MAX. ON CENTER" dimension are not exceeded.
- Concrete anchor table:

ANCHOR TYPE	ANCHOR SIZE	MIN. EMBEDMENT	MIN. CLEARANCE TO MASONRY EDGE	MIN. CLEARANCE TO ADJACENT ANCHOR
ITW TAPCON®	1/4"	1-1/4"	2"	4"
DeWALT ULTRACON®	1/4"	1-1/4"	1"	4"

WOOD SCREW INSTALLATION NOTES:

- Maintain a minimum 5/8" edge distance, 1" end distance, & 1" o.c. spacing of wood screws to prevent the splitting of wood.

Documents Prepared By:
Lyndon F. Schmidt
P.E. No. 43409

RW BUILDING CONSULTANTS, INC.
P.O. Box 230, Vairico, FL 33595
Phone No.: 813.659.9197
FBPE Registry No. 9813

PRODUCT:
8800 SERIES VINYL
SLIDING PATIO DOORS

PART OR ASSEMBLY:
BUCK & FRAME
ANCHORING

NO.	DATE	REVISIONS
5	7/06/23	UPDATE TO 8TH ED. (2023) FBC
4	7/06/20	UPDATE TO 7TH ED. (2020) FBC
3	6/01/17	UPDATE TO 6TH ED. (2017) FBC
2	1/28/15	UPDATE TO 5TH ED. (2014) FBC
1	2/3/14	REVISE DOOR SIZE

DATE: 2/21/13

SCALE: N.T.S.

DWG. BY: JK

CHK. BY: LFS

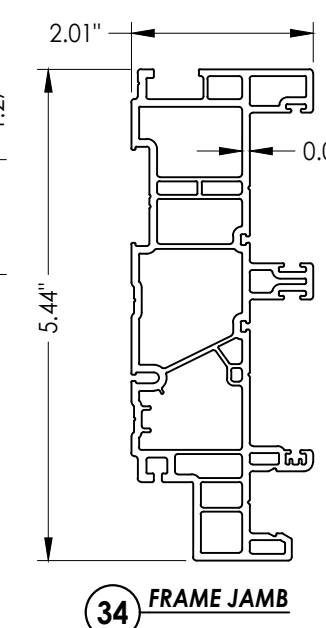
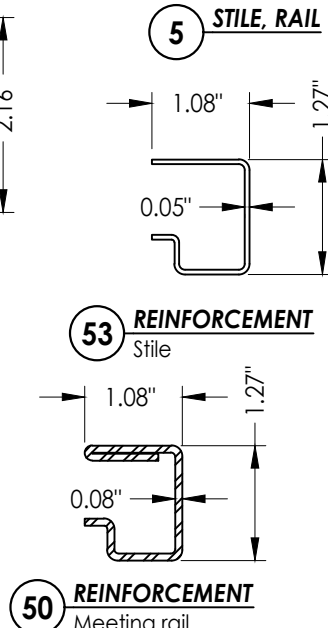
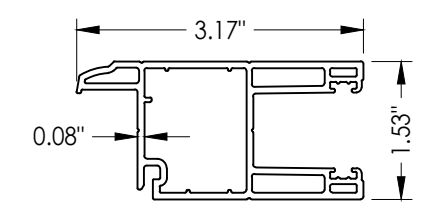
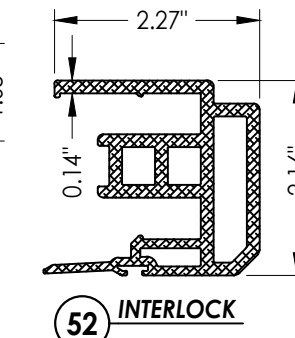
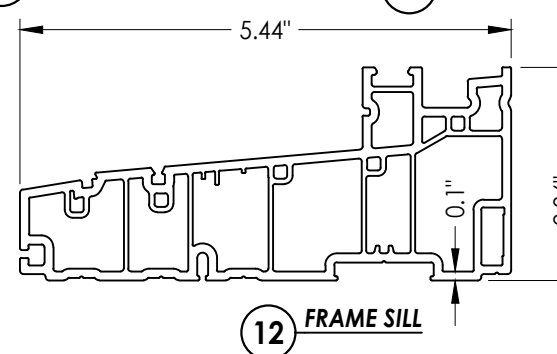
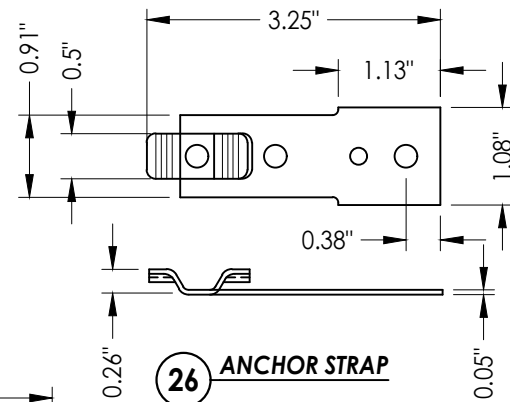
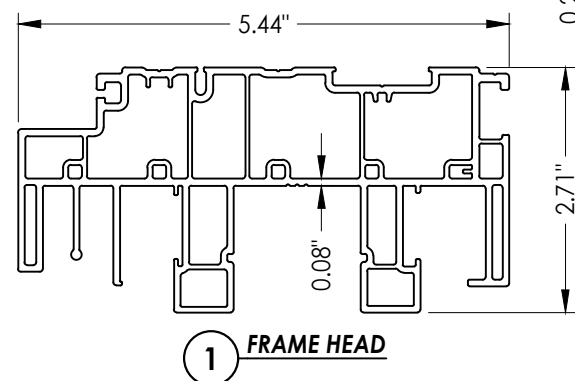
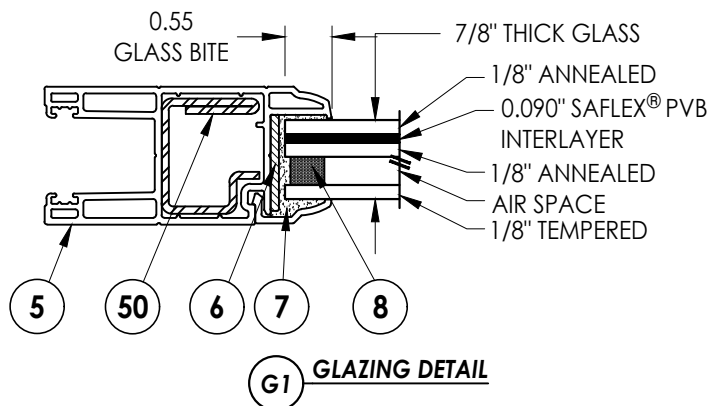
DRAWING NO.:
FL-16216.2

SHEET 4 OF 5

Z:\2023 FBC Drawings\Window Company\FL-16216 R14\FL-16216.1-2.dwg

BILL OF MATERIALS		
ITEM #	DESCRIPTION	MATERIAL
A	1X BUCK SG >= 0.55	WOOD
B	2X BUCK SG >= 0.55	WOOD
C	1/4" MAX. SHIM SPACE	-
D	1/4" X 2-3/4" DeWALT OR ITW CONCRETE SCREW	STEEL
E	MASONRY - 3,000 PSI MIN. CONCRETE CONFORMING TO ACI 301 OR HOLLOW BLOCK CONFORMING TO ASTM C90	CONCRETE
F	1/4" X 1-3/4" DeWALT OR ITW CONCRETE SCREW	STEEL
G	1/4" X 3-3/4" DeWALT OR ITW CONCRETE SCREW	STEEL
H	#10 X 5/8" FH SMS	STEEL
1	FRAME HEAD*	PVC
2	#8 x 2-3/4" FH QUADREX WOOD SCREW	STEEL
3	WEATHERSTRIP (SCHLEGEL #HF-7522-270)	-
4	HEAD TRACK*	PVC
5	STILE & RAIL*	PVC
6	SETTING BLOCK	-
7	SILICONE (SIKA 552)	SILICONE
8	DURASEAL SPACER SYSTEM	-
9	SHIM	-
10	TANDEM WHEEL	NYLON
11	ROLLING RAIL	ALUM
12	SILL*	PVC
13	SILL DUST COVER*	PVC
14	SILL PLUG	NYLON
15	SILL WEATHERSEAL	-
17	LEFT CAP FOR SILL ADAPTER*	PVC
18	RIGHT CAP FOR SILL ADAPTER*	PVC
19	#8 X 5/8" PAN HEAD, SQUARE, SELF-DRILLING SCREW	STEEL
20	OUTSIDE SILL CLADDING	ALUM
22	INSECT STOP	-
23	SCREEN	-
24	#8 X 7/8" PAN HEAD, QUADREX, SCREW	STEEL
25	FIXED PANEL ANCHOR BLOCK*	PVC
26	ANCHOR STRAP	STEEL

* THE APPROVED WHITE RIGID PVC EXTERIOR EXTRUSIONS FOR WINDOWS ARE TO BE PRODUCED BY EXTRUDERS LICENSEES IN "AAMA CERTIFICATION PROGRAMS FOR RIGID PVC EXTRUSIONS".



27	SCREW CAP	NYLON
28	GLAZING BEAD*	PVC
29	FOAM PLUG	-
30	HEAD WEATHERSEAL	-
31	#8 X 1-1/4" PAN HEAD, QUADREX, SCREW	STEEL
32	SASH STOPPER	EPDM
33	WEATHERSTRIP	-
34	FRAME JAMB*	PVC
35	WEATHERSTRIP	-
39	HANDLE KIT	STEEL
40	OPERATING PANEL SIDE STILE*	PVC
42	KEEPER FOR SCREEN	-
43	#4 X 5/8" PAN HEAD QUADREX SCREW	STEEL
44	#10 X 2-1/2 PPH SCREW (1-3/16" MIN. EMBEDMENT)	STEEL
45	#10 X 1-3/4" PPH SCREW (1-3/16" MIN. EMBEDMENT)	STEEL
46	STAINLESS STEEL DOUBLE POINT MORTISE LOCK KIT	STEEL
47	SASH COVERING CAP*	PVC
48	LOCK PLUG*	PVC
50	STILE REINFORCEMENT (CS TYPE B HOT DIPPED GALV.)	STEEL
51	#8 X 2" TRUSS HEAD QUADREX SCREW	STEEL
52	INTERLOCK	ALUM
53	STILE REINFORCEMENT (CS TYPE B HOT DIPPED GALV.)	STEEL
54	Q-LON WEATHERSTRIP (SCHLEGEL NO. QEZ 345)	-
55	WATER BAR	ALUM
56	#8 X 1" PPH SMS	SS

Documents Prepared By:
Lyndon F. Schmidt
P.E. No. 43409

PRODUCT:
8800 SERIES VINYL
SLIDING PATIO DOORS

PART OR ASSEMBLY:
BILL OF MATERIALS, GLAZING
DETAIL & COMPONENTS

RW
BUILDING CONSULTANTS, INC.
P.O. Box 230, Vairico, FL 33595
Phone No.: 813.659.9197
FBPE Registry No. 9813

NO.	DATE	REVISIONS
5	7/06/23	UPDATE TO 8TH ED. (2023) FBC LFS
4	7/06/20	UPDATE TO 7TH ED. (2020) FBC LFS
3	6/01/17	UPDATE TO 6TH ED. (2017) FBC LFS
2	1/28/15	UPDATE TO 5TH ED. (2014) FBC JK
1	2/3/14	REVISE DOOR SIZE JK
		BY

DATE: 2/21/13
SCALE: N.T.S.
DWG. BY: JK
CHK. BY: LFS
DRAWING NO.: FL-16216.2
SHEET 5 OF 5

© 2013 R.W. BUILDING CONSULTANTS INC.